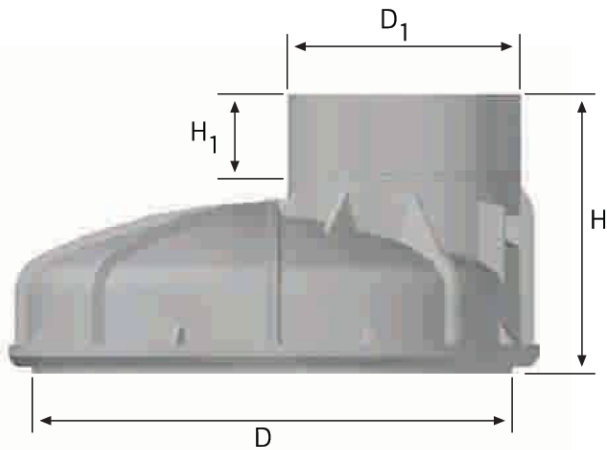
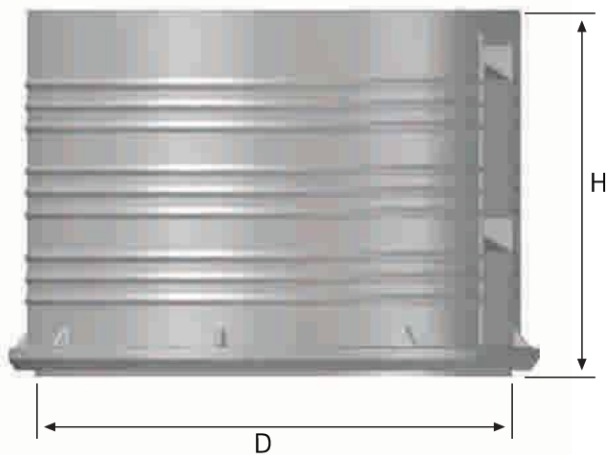


Flat Based Inspection Chambers and Sizing Matrix



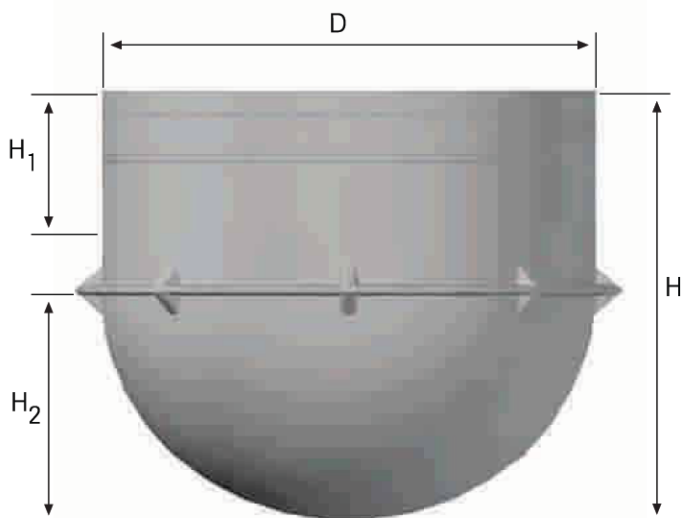
CONICAL TOP PART

	DN 800	DN 1000	DN 1250
D1 (mm)	600	600	600
D (mm)	800	1000	1250
H (mm)	500	750	750
	700	1000	1000
H1 (mm)	150	250	250



BODY

	DN 800	DN 1000	DN 1250
D (mm)	500	500	500
	1000	1000	1250



BASE - ROUND MEMBER

	DN 800	DN 1000	DN 1250
D (mm)	850	1055	1305
H	800	750	1250
		1000	
H (mm)	270	350	390
H2	430	545	670
H1 (mm)	ID100-OD400	ID100-OD500	ID100-OD560

H₁: Section which can be cut for height adjustment during application.